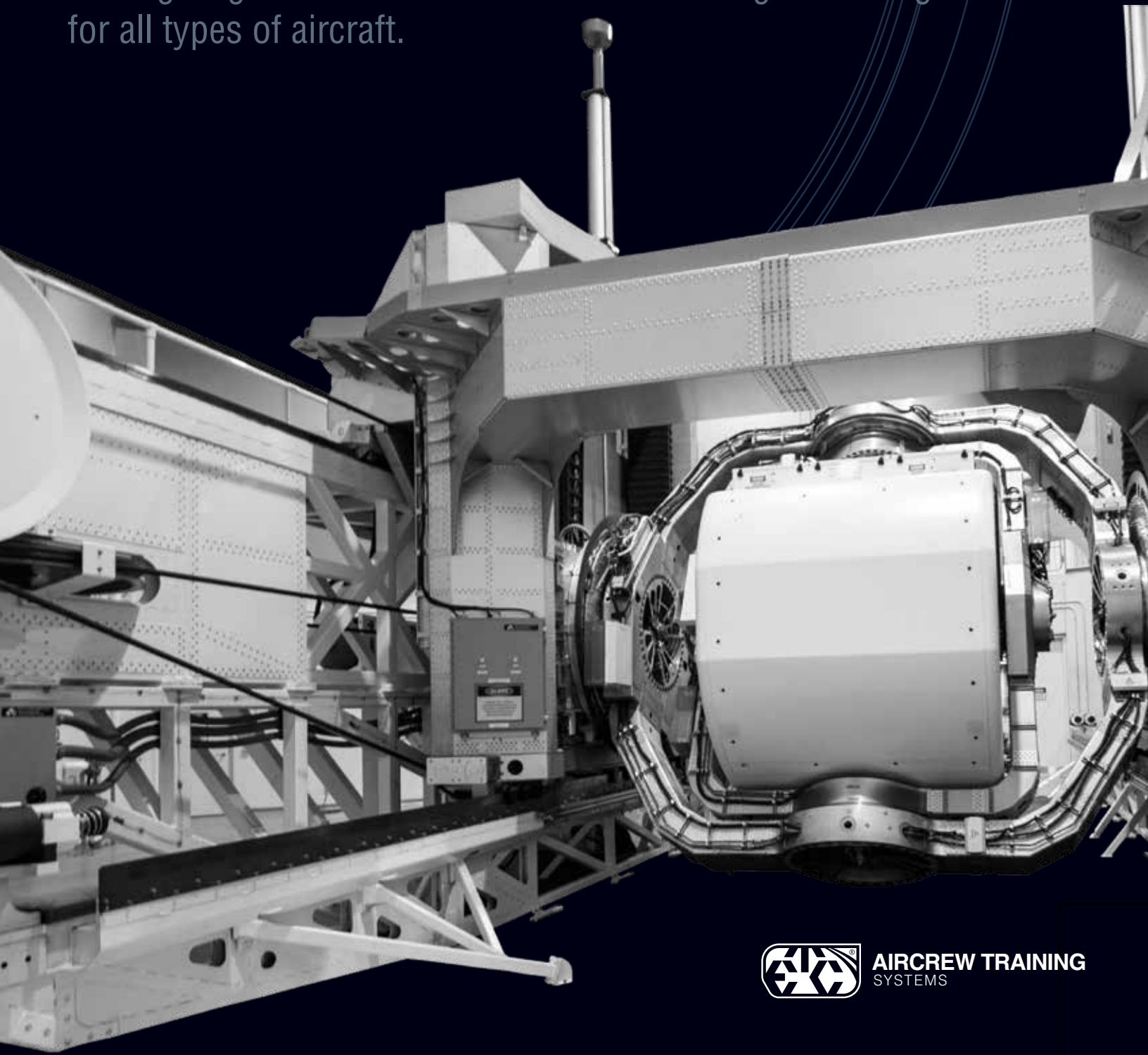


KRAKEN

DISORIENTATION RESEARCH AND TRAINING DEVICE

The KRAKEN is a highly versatile motion platform, suitable for cutting-edge human factors research and flight training for all types of aircraft.



AIRCREW TRAINING
SYSTEMS



KRAKEN

© 2018 ETC

THE MULTI-AXES MOTION PLATFORM IS CAPABLE OF CREATING HIGHLY COMPLEX MOTION PATTERNS WITH SUSTAINED ACCELERATION, PROVIDING AN EXCELLENT OPPORTUNITY FOR RESEARCH AND TRAINING ON THE EXTREMES OF HUMAN PHYSIOLOGICAL CHALLENGES. THE COCKPIT IS HIGHLY CONFIGURABLE AND HAS AMPLE CAPACITY FOR EXPANSION AND FLEXIBILITY TO MEET THE SPECIFIC NEEDS OF THE RESEARCH AND TRAINING.

COCKPIT

- Highly customizable cockpit configurations
- Large field of view visual display
- Single or dual-seat capable
- High payload capacity for instrumentation

SYSTEM OPERATION AND SAFETY

- Inside occupant or system controlled profiles
- Real-time Monitoring and Data Acquisition
- Audio and Visual Feeds
- Independent Safety Computer
- System and Facility Interlocks
- Man-Rated Design

MOTION SYSTEM

- 6 Axes Motion – Simultaneously Operable
- $\pm 360^\circ$ Continuous Rotation in 4 Axes
- (Rotary, Pitch, Roll Yaw)
- Sustained G Acceleration up to $\pm 3G$
- 33 ft. Horizontal Track
- ± 3 ft. Vertical Translation



VISIT OUR WEBSITE

 etcAircrewTraining.com
 +1 215-355-9100 x1500
 ats@etcusa.com
 125 James Way Southampton, PA 18966 USA



AIRCREW TRAINING
SYSTEMS